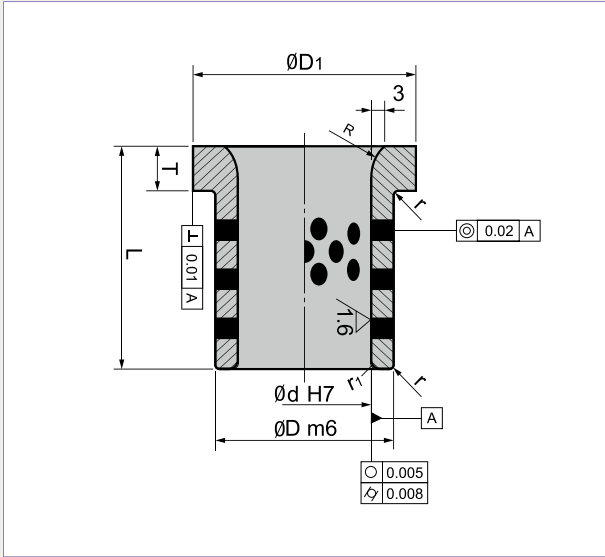




模具导向件  
Slide elements



Notes

**材质 Material**  
高力黄铜+石墨  
Bronze with Graphite

**运动方向**  
Sliding Direction

DTTT.13

Order Code	d	L	d H7	D	m6	D <sub>1</sub>	T	R	r	r <sub>1</sub>
DTTT.13	25	40	25	+0.021 0	35	+0.025 +0.009	45	7	10	1
	30	50	30		40		50			
	40	70	40	+0.025 0	55		65	10	2	
	50	80	50		65	+0.030 +0.011	75			
	60	60	60		75		85	20	2	
	65	120	65	+0.030 0	80		90			
	80	100	80		100		110	2	2	
	140	140	140			+0.035 0.013				
	100	100	100	+0.035 0	12		130			
	140	140	140							



订货  
Order



生产  
Produce



货运  
Transport

Order Code

DTTT.13 - d - L